



TMS-300 / 3000F

Semi-Auto Strapping Machine

The most economical solution for semi-auto application



PORTABILITY

This machine is compact and light-weight, enabling easy transportation and only requires a small space for installation.



SINGLE MOTOR OPERATION

A single motor powers the machine. Stable operation is assured even if the voltage drops.



EASY ADJUSTMENT

Adjustment for use of any strap in a width up to 15.5 mm can be made by slackening off only four screws.

TMS-300F



TMS-300



The most economical solution



Pacmasta TMS-300 Series are affordable, portable, and compact semi-auto strapping machines. They are designed for general purpose and can meet your various applications. With thousands of machines exported to the world every year, the quality of TMS-300 Series is highly proven.

That's why we call this machine Mr. Reliable.

More features



No Strap Damage

The feed system, strap tensioning device and cams are so designed as to eliminate splitting, bending and scratching.



Applicable to Any Shape

The width of the slide table is small, allowing for simple bundling of pipes and irregular shaped objects.



Simple Operation

The free end of the strap appears on the table which can be placed around this article by hand for strapping. No training required.

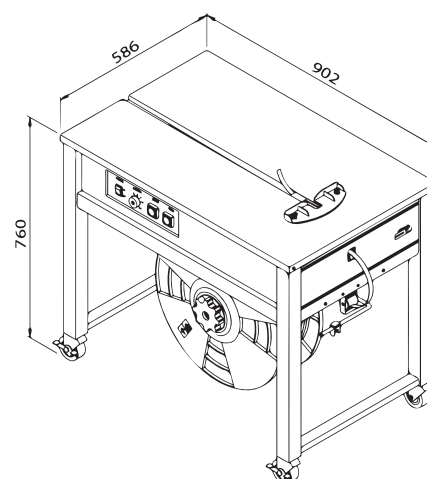


Easy Maintenance

Replacement of the PC Board is easy. This machine uses an instant heating plate, enabling fast heating. Also, this machine is equipped with two useful manual switches that help clear strap jams and aids in the event of failure of any micro switches. The machine may be used in this manner until the micro switches and/or strap are repaired, replaced or cleared.

Pacmasta TMS-300 / 300OF Technical Data

MODEL	TMS-300	TMS-300OF
Strapping Speed	2.5 sec/strap	2.5 sec/strap
Dimension	910mm(L) x 582mm(W) x 785mm(H)	910mm(L) x 582mm(W) x 770mm(H)
Net Weight	100 kg	85 kg
Max Tension	45 kg	45 kg
Strap Width	6, 9, 12, 15.5 mm	6, 9, 12, 15.5 mm
Power	AC230V(50Hz), single phase	AC230V(50Hz), single phase



Contact Us

Accreditations

